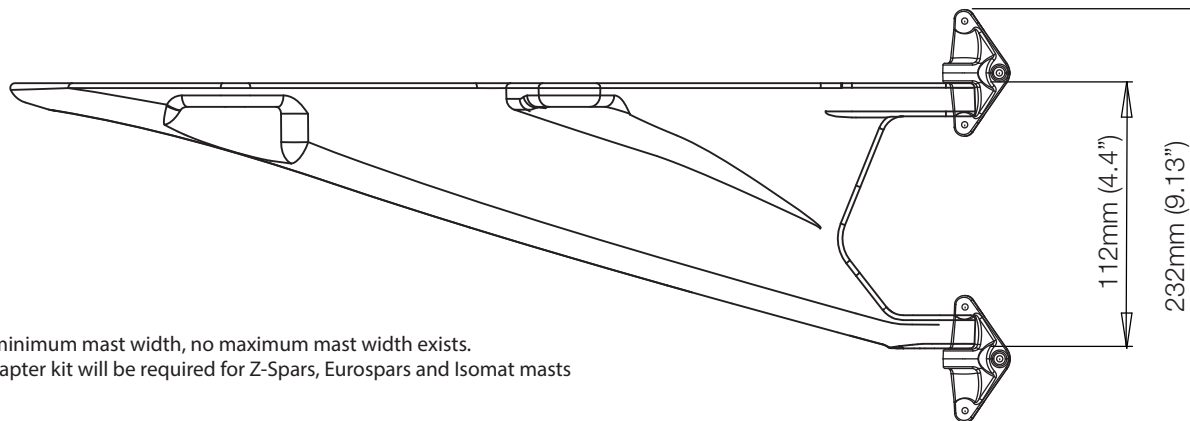
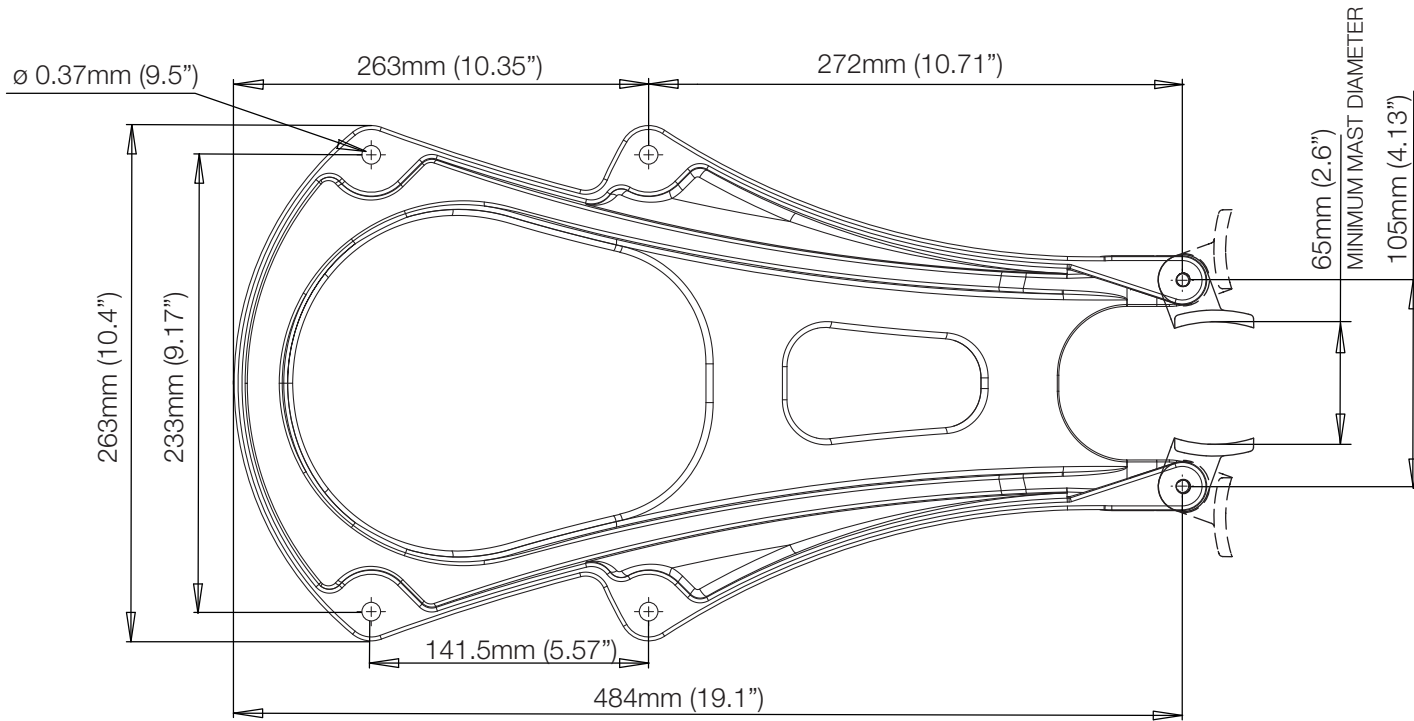


# M92722 Mast Mount Fixing Dimensions

Email: [sales@scanstrut.com](mailto:sales@scanstrut.com) Email: [usasales@scanstrut.com](mailto:usasales@scanstrut.com)



\* indicates minimum mast width, no maximum mast width exists.  
 \*\* 50100 Adapter kit will be required for Z-Spars, Eurospars and Isomat masts

